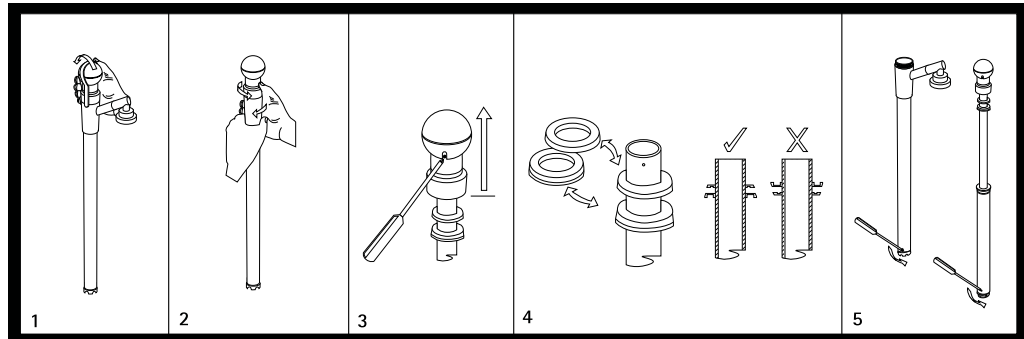




# Ezi-action® Drumpump Servicing

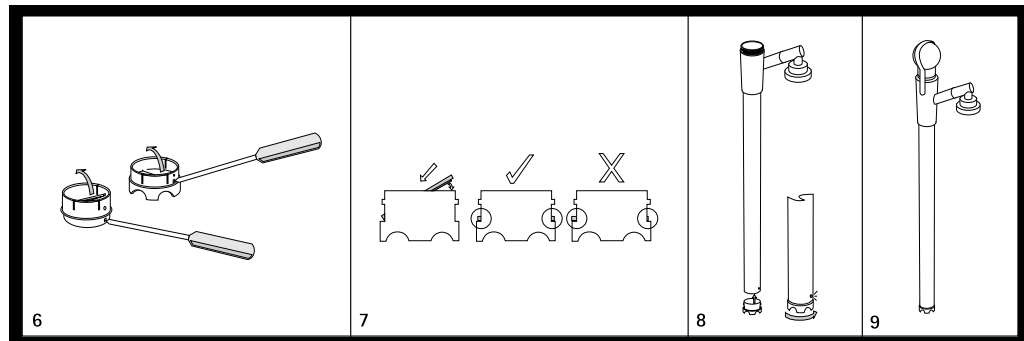
Ezi-action Drumpumps are the only fully serviceable hand pump in the world. This assures longevity and excellent value. Some chemicals can be harsher on the low density polyethylene (LDPE) plastic components of Ezi-action® Drumpumps.

**Should liquid be visible around the thread join replace the seals. Ask for Ezi-action® Seal Pack (Refer Steps 1-4)**



**Should the Drumpump fail to pump replace the valve flaps. Ask for Ezi-action® Service Kit (Refer Steps 5-9)**

**Note:** To minimise damage to the lugs of the foot valve holder (step 5) a pair of 200mm long nose pliers with 3mm flat on the fine end of the jaws can be used.



**NZ Pump Company Ltd**  
21 Tawn Place  
Hamilton 3200  
New Zealand

Phone: +64 7 839 3838  
Fax: +64 7 839 1193  
E-Mail:  
pacificsales@nzpump.com

**New Zealand Pump Company Inc**  
801 South Palm Avenue,  
Alhambra, CA 91803, USA

Phone: +1 626 458 8023  
Fax :+ 1 626 458 8024  
Email:  
sales@nzpump.com

**NZ Pump Company (Europe) Ltd**  
Unit 5/6 Greenline  
Business Park  
Wellington Street  
Burton-on-Trent  
Staffordshire DE14 2AS  
UK

Phone: +44 (0) 1283 531499  
Fax: +44 (0) 1283 531548  
Email:  
europesales@nzpump.com

Ezi-action® Seal Pack	Ezi-action® Service Kit
<p><b>Contents:</b> 1x LDPE washer seal 1x LDPE scraper seal Easy to follow diagrammatic instructions</p>	<p><b>Contents:</b> 1x LDPE washer seal 1x LDPE scraper seal 1x LDPE Foot Valve 1x LDPE Plunger Flap Valve Easy to follow diagrammatic instructions</p>