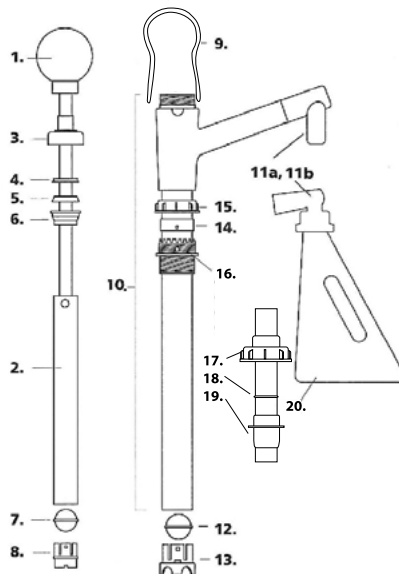




# Ezi-action® Drumpump

## Parts List

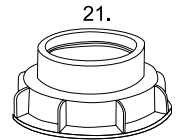


\*Safety Measure Outlet Nozzle is designed to receive the Ezi-action® Safety Measure (optional).

1. Ball Handle
2. Plunger
3. Pumphead Cap
4. Pumphead Scraper Seal
5. Pumphead Seal
6. Pumphead Seal Holder
7. Plunger Valve Flap
8. Plunger Valve Holder
9. Safety Strap
10. Pump Body
- 11a. Straight Spout Outlet Nozzle
- 11b. Safety Measure Outlet Nozzle\*
12. Foot Valve Flap
13. Foot Valve Holder
14. Drum Attachment Seal
15. Drum Attachment Cap
16. Drum Attachment
17. Cap Attachment
18. O-Ring
19. Cap Locking Ring
20. Ezi-action® Safety Measure (sold seperately)

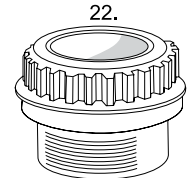
### Ezi-action® Cap Attachment Fittings

C55  
C57  
C63Int  
C63NZ  
C65  
C69NZ  
C69 USA  
Aust Metal  
Engl Metal  
PSA



### Ezi-action® Drum Attachment Fittings:

MBSP  
M55  
MR  
M63  
M63B  
M69  
M63R  
MBSP55



## Installation instructions

### Installing the Ezi-action® 25/5 or 60/15 Drumpump into a container using an Ezi-action® C fitting:

1. Unscrew the cap from the container and check that the threads on the container cap and the Cap Attachment (17) are the same. (Other threads are available.)
2. Pull the Cap Attachment (17), the O-ring (18) and the cap locking ring (19) all the way up the Pump Body and place the pump into the container until the Ezi-action® Drumpump comes to rest on the bottom of the container.
3. Ease the Ezi-action® Cap Attachment fitting (21) down the Ezi-action® Drumpump Body, face the outlet nozzle in the desired direction and tighten onto the container cap thread.
4. It may be necessary to loosen the Ezi-action® Cap Attachment fitting (21) from time to time to let air into the container.

### Installing the Ezi-action® 60/15, 200/55 Drumpump or 1000/220 (IBC) Pump into a container using an Ezi-action® M fitting:

1. Remove the threaded bung from the drum or the centre cap of the IBC and check that the threads on the drum cap and the Ezi-action® drum attachment fitting (22) are the same (other threads are available).
2. Screw the Ezi-action® drum attachment fitting (22) into the drum/IBC opening by hand.
3. Insert the shaft of the Ezi-action® Drumpump into the drum/IBC through the Ezi-action® drum attachment fitting (22) until the Ezi-action® Drumpump comes to rest on the bottom of the drum/IBC.
4. Turn the Ezi-action® Drumpump to the position that you wish it to face and screw the drum attachment cap (15) to the Ezi-action® drum attachment (16) until tight.

### NZ Pump Company Ltd

21 Tawn Place  
Hamilton 3200  
New Zealand

Phone: +64 7 839 3838  
Fax: +64 7 839 1193  
E-Mail:  
pacificsales@nzpump.com

### New Zealand Pump Company Inc

801 South Palm Avenue,  
Alhambra, CA 91803, USA

Phone: +1 626 458 8023  
Fax :+ 1 626 458 8024  
Email:  
sales@nzpump.com

### NZ Pump Company (Europe) Ltd

Unit 5/6 Greenline  
Business Park  
Wellington Street  
Burton-on-Trent  
Staffordshire DE14 2AS  
UK

Phone: +44 (0) 1283 531499  
Fax: +44 (0) 1283 531548  
Email:  
europesales@nzpump.com

### Using the Ezi-action® Drumpump

For best results your pumping method will need to vary as to the quantity of fluid required and the viscosity of the liquid being pumped.

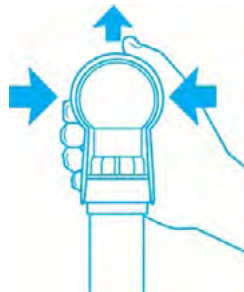
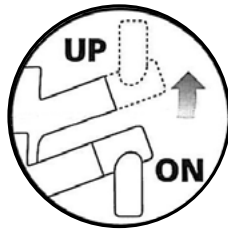
It is not necessary to use the full stroke length of the Plunger to make the pump operate efficiently. With more viscous liquids slower steadier strokes are best. If you require an exact quantity of liquid it is best to use shorter strokes as you near the quantity of liquid required.

The Outlet Nozzle (11) swivels and can be turned up to prevent any dripping, especially when pumping viscous liquids. NEVER USE THE PUMP when the Outlet nozzle is pointing up.

### Unlocking the Safety Strap

The purpose of the Safety Strap is to reduce the risk of children and unwanted persons from using the pump. The manufacturer does not warrant the effectiveness of the Safety Strap, or its locking mechanism in any way.

To release the Safety Strap place a hand across the breadth of the Safety Strap and squeeze. This action will raise the locking spigot and allow the Safety Strap to fold down. Always replace the Safety Strap after using the pump.



### SERVICING

Ezi-action® Drumpumps are fully serviceable. Should servicing be required contact your supplier for an Ezi-action® Seal Pack or Service Kit

### Removal and Cleaning of Ezi-action® Drumpump

Warning: Respect the toxicity of any fluid being pumped. Read the product label for advice on necessary eye, skin, inhalation protection and protective clothing. Remember: The Ezi-action®

Drumpump will have a quantity of fluid contained inside it when it is removed.

1. Remove the Ezi-action® Drumpump and hold the Outlet Nozzle over a container or bucket and tip slowly backwards and forwards until the flow stops.
2. Where the Ezi-action® Drumpump has been used to pump water soluble liquids rinse the pump by standing the Drumpump in a bucket of water and pump until empty.

**Caution:** Be conscious of the toxicity of the fluid and where the rinse water is draining to. It is advised that it be collected for later use.

### WARNING

1. When using or removing the Ezi-action® Drumpump from the container, respect the toxicity of the product being pumped. Wear required protective clothing, eye protection, gloves and appropriate footwear.
2. Never use the Ezi-action® Drumpump to pump different fluids first without giving the Ezi-action® Drumpump a thorough clean by completely disassembling the Ezi-action® Drumpump. It is recommended that a separate Ezi-action® Drumpump be used for each different product. The Ezi-action® Drumpump should not be used to pump petrol/gasoline.
3. Always replace the Safety Strap immediately after use of the Ezi-action® Drumpump.
4. Do not lock or unlock the Safety Strap in the presence of children.
5. All Ezi-action® Drumpumps and chemicals should be stored in a safe, locked area, forbidding access to children and non-authorized people.
6. Always attach the Ezi-action® Safety Measure (20) securely before using the pump.



The New Zealand Pump Company

**Ezi-action®**  
**DRUMPUMP**

Preferred Locally  
Demanded Globally